

Certification, Compliance, and Warranty Information

FCC Radio Frequency Interference Statement Warning

This device complies with part 15 of the FCC Rules. Operation is subject to the following two conditions: (1) this device may not cause harmful interference, and (2) this device must accept any interference received including interference that may cause undesired operation.

CE Statement

We, Icron, an Analog Devices brand, declare under our sole responsibility that the USB 2.0 RG2304SP, to which this declaration relates, is in conformity with European Standards EN 55032, EN 55035, EN 61000 and RoHS Directive 2011/65/EU + 2015/863/EU.

Industry Canada Statement

This Class A digital apparatus complies with Canadian ICES-003.
CAN ICES-3 (A)/NMB-3 (A)

WEEE Statement

The European Union has established regulations for the collection and recycling of all waste electrical and electronic equipment (WEEE). Implementation of WEEE regulations may vary slightly by individual EU member states. Please check with your local and state government guidelines for safe disposal and recycling or contact your national WEEE recycling agency for more information.

Product Operation and Storage

Please read and follow all instructions provided with this product and operate for intended use only. Do not attempt to open the product casing as this may cause damage and will void the warranty. If a power supply is needed for your application, use only the model specified (sold separately) intended for use with this product. When not in use, this product should be stored in a dry location between -20°C and 70°C. Product user guides are available online at icron.com.

Limited Hardware Warranty

Icron warrants that any hardware products accompanying this documentation shall be free from significant defects in material and workmanship for a period of two years from the date of purchase. Icron's hardware warranty extends to Licensee, its customers and end users. The warranty does not include repair of failures caused by misuse, neglect, accident, modification, operation outside a normal operating environment, service of the device by non-authorized servicers or a product for which Icron is not responsible.

Quick
Start
Guide

USB 2.0 RG2304SP

1-Port USB 2.0 Local Extender
with Power over Ethernet LAN

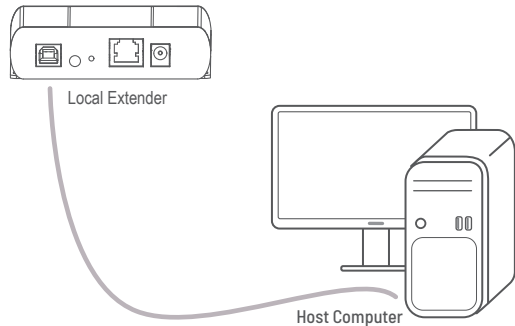
Package Contents:

- ▶ USB 2.0 RG2304SP Local Extender
- ▶ USB 2.0 Cable
- ▶ Quick Start Guide

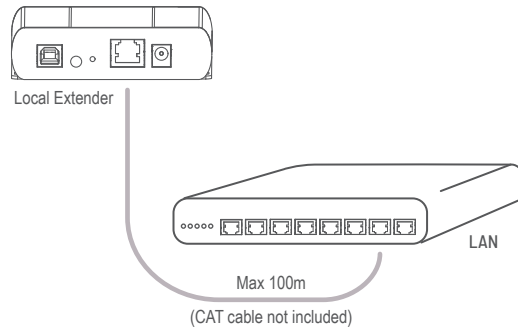


Before starting, install any required drivers for your USB device(s).

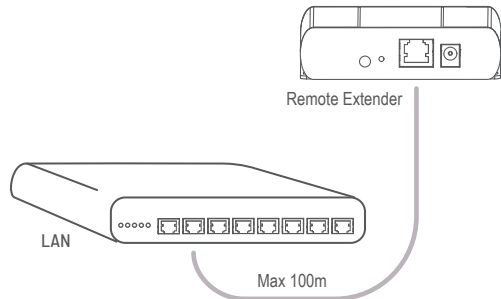
- 1 Connect the local extender to the USB port on your host computer using the included USB cable.



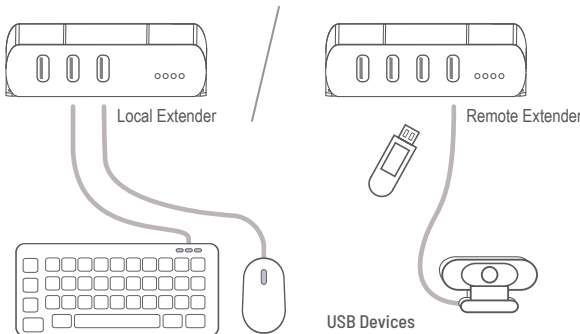
- 2 Connect a CAT 5e/6/7 patch cable from the RJ45 Link port on the local extender to an IEEE 802.3at - PoE+ (25.5W) capable LAN port.



- 3 Place the remote extender (sold separately) where desired. Connect a CAT 5e/6/7 patch cable to the RJ45 Link port on the remote extender to an IEEE 802.3at - PoE+ (25.5W) capable LAN port.



- 4 Connect your USB device(s) to the remote extender. The local extender also acts as a 3-port hub to accommodate additional USB devices.



Notes:

- ▶ The RG2304SP local extender requires an IEEE 802.3at - PoE+ (25.5W) capable network switch to provide power to the unit.
- ▶ The POWER status LED illuminates BLUE when sufficient power is present and RED when the power level is insufficient.
- ▶ An optional 24V 1AAC power adapter can be connected to the local extender and is sold separately (order part number 21-00110). If power is present at both the RJ45 Link and DC power ports, the DC power adapter serves as the primary source with PoE as the backup.

Icron | An Analog Devices Brand
4664 Lougheed Hwy., Suite 221
Burnaby, BC V5C 5T5
Canada

t +1 604.638.3920

Visit icron.com

Copyright © 2023 Analog Devices, Inc. All Rights Reserved.
Trademarks and registered trademarks are the property of their respective holders. ADI/Icron assumes no responsibility for errors that may appear in this document. Information contained herein is subject to change without notice. ♻️



90-01906-A01

Certification, Compliance, and Warranty Information

FCC Radio Frequency Interference Statement Warning

This device complies with part 15 of the FCC Rules. Operation is subject to the following two conditions: (1) this device may not cause harmful interference, and (2) this device must accept any interference received including interference that may cause undesired operation.

CE Statement

We, Icron, an Analog Devices brand, declare under our sole responsibility that the USB 2.0 RG2304SP, to which this declaration relates, is in conformity with European Standards EN 55032, EN 55035, EN 61000 and RoHS Directive 2011/65/EU + 2015/863/EU.

Industry Canada Statement

This Class A digital apparatus complies with Canadian ICES-003.
CAN ICES-3 (A) / NMB-3 (A)

WEEE Statement

The European Union has established regulations for the collection and recycling of all waste electrical and electronic equipment (WEEE). Implementation of WEEE regulations may vary slightly by individual EU member states. Please check with your local and state government guidelines for safe disposal and recycling or contact your national WEEE recycling agency for more information.

Product Operation and Storage

Please read and follow all instructions provided with this product and operate for intended use only. Do not attempt to open the product casing as this may cause damage and will void the warranty. If a power supply is needed for your application, use only the model specified (sold separately) intended for use with this product. When not in use, this product should be stored in a dry location between -20°C and 70°C. Product user guides are available online at icron.com.

Limited Hardware Warranty

Icron warrants that any hardware products accompanying this documentation shall be free from significant defects in material and workmanship for a period of two years from the date of purchase. Icron's hardware warranty extends to Licensee, its customers and end users. The warranty does not include repair of failures caused by misuse, neglect, accident, modification, operation outside a normal operating environment, service of the device by non-authorized servicers or a product for which Icron is not responsible.

Quick
Start
Guide

USB 2.0 RG2304SP

4-Port USB 2.0 Remote Extender
with Power over Ethernet LAN

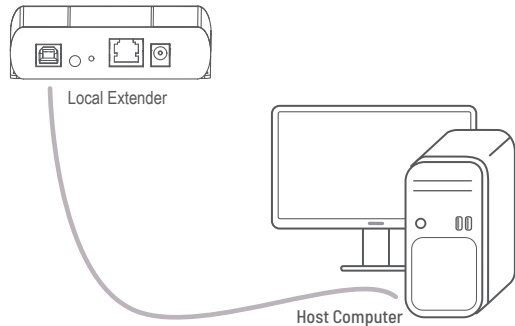
Package Contents:

- ▶ USB 2.0 RG2304SP Remote Extender
- ▶ Quick Start Guide

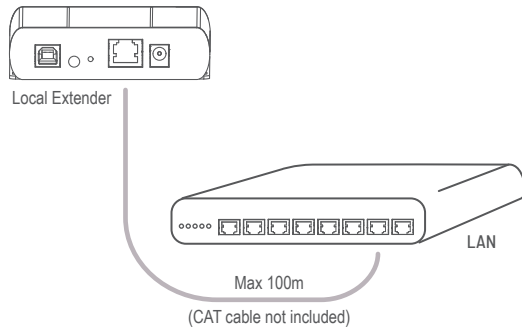


Before starting, install any required drivers for your USB device(s).

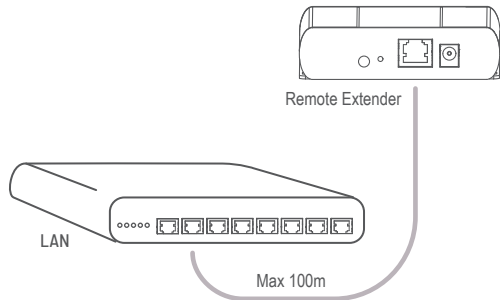
- 1 Connect the local extender (sold separately) to the USB port on your host computer using the included USB cable.



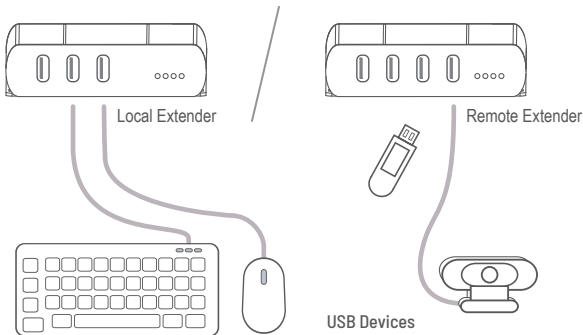
- 2 Connect a CAT 5e/6/7 patch cable from the RJ45 Link port on the local extender to an IEEE 802.3at - PoE+ (25.5W) capable LAN port.



- 3 Place the remote extender where desired. Connect a CAT 5e/6/7 patch cable to the RJ45 Link port on the remote extender to an IEEE 802.3at - PoE+ (25.5W) capable LAN port.



- 4 Connect your USB device(s) to the remote extender. The local extender also acts as a 3-port hub to accommodate additional USB devices.



Notes:

- ▶ The RG2304SP remote extender requires an IEEE 802.3at - PoE+ (25.5W) capable network switch to provide power to the unit.
- ▶ The POWER status LED illuminates BLUE when sufficient power is present and RED when the power level is insufficient.
- ▶ An optional 24V 1AAC power adapter can be connected to the remote extender and is sold separately (order part number 21-00110). If power is present at both the RJ45 Link and DC power ports, the DC power adapter serves as the primary source with PoE as the backup.

Icron | An Analog Devices Brand
4664 Lougheed Hwy., Suite 221
Burnaby, BC V5C 5T5
Canada

t +1 604.638.3920

Visit icron.com

Copyright © 2023 Analog Devices, Inc. All Rights Reserved. Trademarks and registered trademarks are the property of their respective holders. ADI/Icron assumes no responsibility for errors that may appear in this document. Information contained herein is subject to change without notice. ♻️



90-01916-A01