

USB 2.0 Ranger® 2304PoE

4-Port USB 2.0 Power over Ethernet LAN Extender System



The Ranger 2304PoE enables you to connect and extend all USB 2.0 device types to hosts across a PoE+ enabled Gigabit Ethernet Local Area Network using existing cabling. This system extends peripherals such as flash drives, keyboards, mice and interactive whiteboards across a LAN and supports isochronous devices such as webcams. Three USB A ports are available on the local extender, eliminating the need to connect an external USB hub to the host.

Features

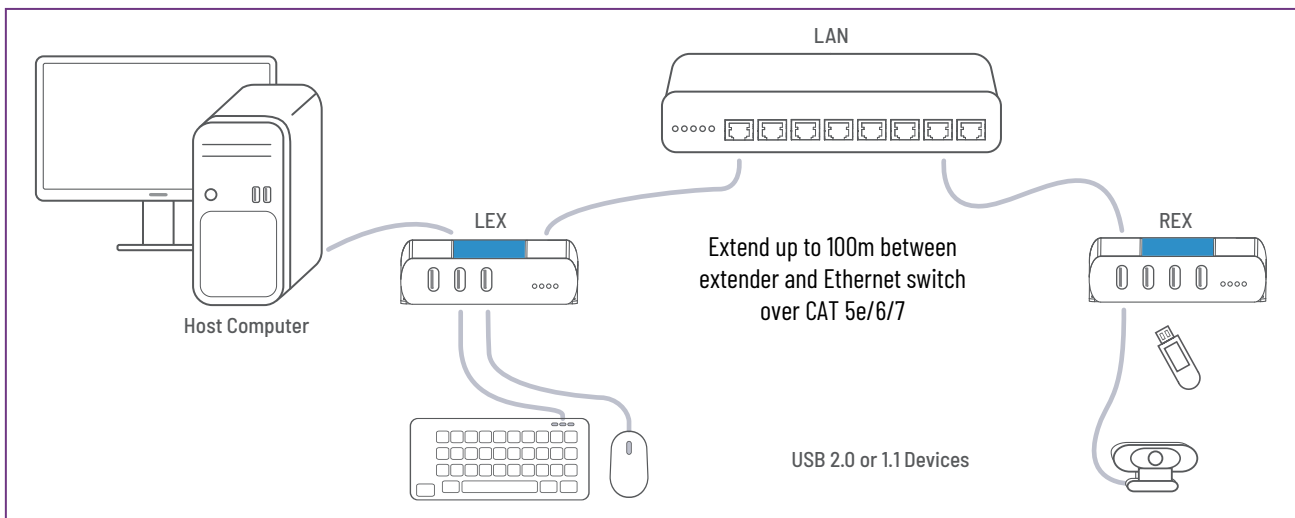
- ▶ Extends USB over an IEEE 802.3at PoE+ capable 1000Mbps LAN
- ▶ USB 2.0 throughput up to 480Mbps point-to-point or over LAN*
- ▶ Pre-paired network configuration** for simple installation
- ▶ Supplies up to 1.5A at each port, 3.5A total

Includes the ExtremeUSB® suite of features:

- ▶ Transparent USB extension
- ▶ True plug and play; no software drivers required
- ▶ Works with all major operating systems; Windows®, macOS™, Linux® and ChromeOS™

Applications

- ▶ Remote storage
- ▶ Industrial control
- ▶ Security and monitoring
- ▶ Keyboards and mice



* Maximum throughput will vary based on network traffic, distance and number of switches between extenders.
** Pre-paired network configuration only applies to units purchased together as a complete LEX and REX extender system.

USB 2.0 Ranger® 2304PoE Specifications

	SPECIFICATIONS	LEX (LOCAL EXTENDER)	REX (REMOTE EXTENDER)
EXTENDER UNITS	USB Connectors	3 x USB Type A Receptacles, 1 x USB Type B Receptacle	4 x USB Type A Receptacles
	Link Connector	1 x RJ45	
	Dimensions	100mm (W) x 86mm (D) x 26mm (H) / 3.94" (W) x 3.39" (D) x 1.02" (H)	
	Enclosure Material	Silver Anodized Aluminum	
	Available Current	Supplies up to 1.5A at each port, 3.5A total	
	Power Supply	100-240V AC Input, 24V 1A DC Output (Optional, sold separately)	
RANGE	Direct Connect	Up to 100m (330 ft) over solid core CAT 5e/6/7	
	Network Connect	Up to 100m (330 ft) between switches over solid core CAT 5e/6/7	
USB DEVICE SUPPORT	Network and Direct Connect	Up to 480Mbps*	
	Traffic Types	All USB 2.0 Traffic Types	
	Device Types	All USB 2.0 Device Types	
	Maximum Devices	Supports up to 30	
NETWORKING	Standards	1000BASE-T*, IEEE 802.3at PoE+ (25.5W)	
	Data Traffic	Layer 2	
ENVIRONMENTAL	Operating Temperature	0°C to 50°C (32°F to 122°F)	
	Storage Temperature	-20°C to 70°C (-4°F to 158°F)	
	Operating Humidity	20% to 80% relative humidity, non-condensing	
	Storage Humidity	10% to 90% relative humidity, non-condensing	
COMPLIANCE	Certifications	FCC (Class A), CE (Class A), RoHS2/3 (CE), ICES-003 Issue 7, EN 62368-1	
SUPPORT	Warranty	2-year	

* Maximum speed is heavily dependant on network configuration, bandwidth and performance. 1000Base-T is highly recommended for best performance.

Ordering Information



The Ranger 2304PoE system includes a LEX, REX, USB Cable, Quick Start Guide and two-year warranty. The external power supply is optional and sold separately. For more information, contact us online at icron.com/contact, by email at icronSales@analog.com, or call +1 604 638 3920.

PART #	NAME	DESCRIPTION
00-00465	USB 2.0 Ranger 2304PoE	3-Port LEX and 4-Port REX USB 2.0 Extender System, Power over Ethernet, USB A/B cable
10-00535	USB Mounting Kit - Silver	Kit includes: 2 brackets, 4 locking washers, 4 (M2.5 x 8mm) Phillips pan head screws. Order: 1 kit per LEX or REX; 2 kits per system.
21-00110	24V 1A AC Power Adapter (Level VI)	24V 1A DC Output, 100-240VAC Input Power Supply with 2.1mm (ID) Plug and IEC320-C7/C8 2-pin connector
21-00115	NA Ungrounded Power Cord	IEC320-C7/C8 2-pin Power Cord for North America
21-00116	EU Ungrounded Power Cord	IEC320-C7/C8 2-pin Power Cord for European Union
21-00117	UK Ungrounded Power Cord	IEC320-C7/C8 2-pin Power Cord for United Kingdom
21-00118	AU Ungrounded Power Cord	IEC320-C7/C8 2-pin Power Cord for Australia/New Zealand
21-00109	JP Ungrounded Power Cord	IEC320-C7/C8 2-pin Power Cord for Japan