

USB 2.0 Ranger® 2304PoE

4-Port USB 2.0 Power over Ethernet
LAN Extender System

Package Contents:

- ▶ USB 2.0 Ranger 2304PoE LEX
- ▶ USB 2.0 Ranger 2304PoE REX
- ▶ USB 2.0 Cable
- ▶ Quick Start Guide

For more information about configuring and operating this product, refer to the complete online user guide at icron.com/2304PoE.

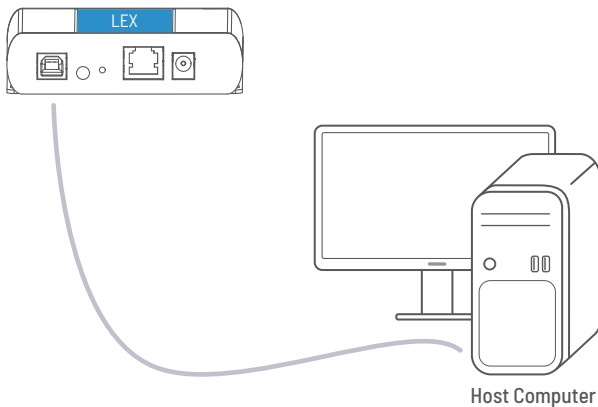
For technical support, visit icron.com/support.

For sales/general inquiries, visit icron.com/contact.

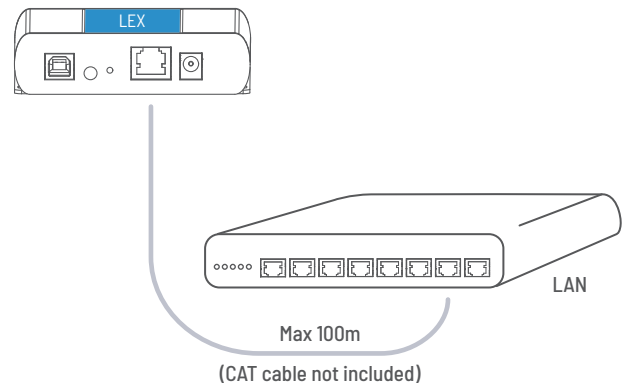
Before starting, install any required drivers for your USB device(s).

LEX = Local Extender
REX = Remote Extender

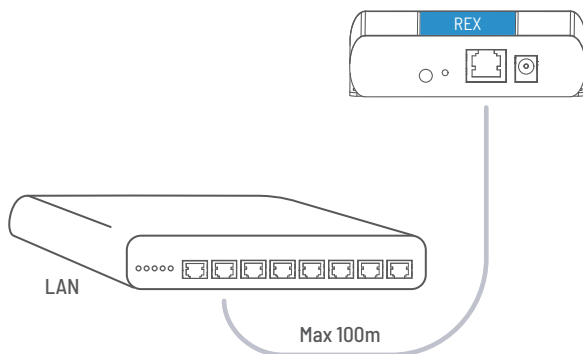
- 1** Connect the LEX to the USB port on your host computer using the included USB cable.



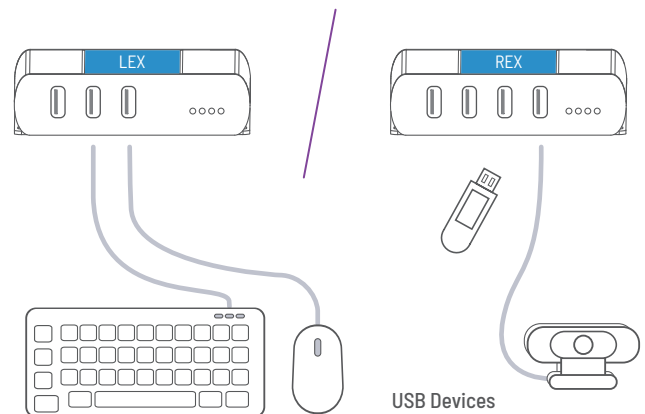
- 2** Connect a CAT 5e/6/7 patch cable from the RJ45 Link port on the LEX to an IEEE 802.3at - PoE+ (25.5W) capable LAN port.



- 3** Place the REX where desired. Connect a CAT 5e/6/7 patch cable to the RJ45 Link port on the REX and to an IEEE 802.3at - PoE+ (25.5W) capable LAN port.



- 4** Connect the USB device(s) to the REX as desired. The LEX also acts as a 3-port hub to accommodate additional USB devices.



Notes:

- ▶ The Ranger 2304PoE requires an IEEE 802.3at - PoE+ (25.5W) capable network switch to provide power to the units.
- ▶ The POWER status LED illuminates BLUE when sufficient power is present and RED when the power level is insufficient.
- ▶ An optional 24V 1A AC power adapter can be connected to either the LEX or REX and is sold separately (order part number 21-00110). If power is present at both the RJ45 Link and DC power ports, the DC power adapter serves as the primary source with PoE as the backup.

Certification, Compliance, and Warranty Information

FCC Radio Frequency Interference Statement Warning

This device complies with part 15 of the FCC Rules. Operation is subject to the following two conditions: (1) this device may not cause harmful interference, and (2) this device must accept any interference received including interference that may cause undesired operation.

CE Statement

We, Icron, an Analog Devices brand, declare under our sole responsibility that the USB 2.0 Ranger® 2304PoE, to which this declaration relates, is in conformity with European Standards EN 55032, EN 55035, EN 61000, EN 62368-1 and RoHS Directive 2011/65/EU + 2015/863/EU.

Industry Canada Statement

This Class A digital apparatus complies with Canadian ICES-003.
CAN ICES-3 (A) / NMB-3 (A)

WEEE Statement

The European Union has established regulations for the collection and recycling of all waste electrical and electronic equipment (WEEE). Implementation of WEEE regulations may vary slightly by individual EU member states. Please check with your local and state government guidelines for safe disposal and recycling or contact your national WEEE recycling agency for more information.

Product Operation and Storage

Please read and follow all instructions provided with this product and operate for intended use only. Do not attempt to open the product casing as this may cause damage and will void the warranty. If a power supply is needed for your application, use only the model specified (sold separately) intended for use with this product. When not in use, this product should be stored in a dry location between -20°C and 70°C. Product user guides are available online at icron.com.

Limited Hardware Warranty

Icron warrants that any hardware products accompanying this documentation shall be free from significant defects in material and workmanship for a period of two years from the date of purchase. Icron's hardware warranty extends to Licensee, its customers and end users. The warranty does not include repair of failures caused by misuse, neglect, accident, modification, operation outside a normal operating environment, service of the device by non-authorized servicers or a product for which Icron is not responsible.

Hardware Remedies

Icron's entire liability and the Licensee's exclusive remedy for any breach of warranty, shall be, at Icron's option, either: (a) return of the price paid, or (b) repair or replacement of hardware, which will be warranted for the remainder of the original warranty period or 30 days, whichever is longer. These remedies are void if failure of the hardware has resulted from accident, abuse, or misapplication.

Limitation of Liability

The hardware warranty set forth in this agreement replaces all other warranties. Icron expressly disclaims all other merchantability and fitness for a particular purpose and non-infringement of third-party rights with respect to the hardware.

Icron dealer, agent or employee is not authorized to make any modification, extension, or addition to this warranty. Under no circumstances will Icron, its suppliers or licensors be liable for any costs of procurement or substitute products or services, lost profits, loss of information or data, or any other special, indirect, consequential, or incidental damages arising in any way out of the sale of, use of, or inability to use Icron product or service, even if Icron, its suppliers or licensors have been advised of the possibility of such damages. In no case shall Icron, its suppliers and licensors' liability exceed the actual money paid for the products at issue.

Since some jurisdictions do not allow the limitation of implied warranties of liability for incidental, consequential, special, or indirect damages, the above limitation may not always apply. The above limitations will not apply in case of personal injury where and to the extent that applicable law requires such liability.

Obtaining Warranty Service

Contact the Icron technical support team within the warranty period to obtain a Return Material Authorization (RMA) number. To begin the warranty process, please fill out the short online form located at icron.com/support.


Icron | An Analog Devices Brand
4664 Lougheed Hwy., Suite 221
Burnaby, BC V5C 5T5
Canada

t +1 604.638.3920

Visit icron.com



Copyright © 2023 Analog Devices, Inc. All Rights Reserved. Trademarks and registered trademarks are the property of their respective holders. ADI/Icron assumes no responsibility for errors that may appear in this document. Information contained herein is subject to change without notice. ♻️

 90-01901-A01