

USB 3-2-1 Raven™ 3204C Pro

4-Port USB 3 (5Gbps), 10GbE LAN or CAT 6a/7 USB-C Extender System

Icron's next generation, Raven 3204C Pro, is the world's first USB 3-2-1 extender over Local Area Network optimized for camera and video capture devices with Isochronous (ISO) support. It extends USB 3 (5Gbps), USB 2.0 and 1.1 devices from a host computer across a 10GbE LAN or point-to-point CAT 6a/7 connection.

Raven 3204C Pro delivers the same exceptional performance as the Raven 3104, in a smaller, lighter design, with USB-C ports available for the host and extended devices. Extend ISO USB cameras, sound bars, hubs, and other USB-C or USB-A devices past the standard USB 3 cable (1.8m/6ft) limitation to a PC or laptop across the conference room or to an IT closet with standard CATx cabling. Plus, this model features the ability to dynamically switch extender pairings across a 10GbE switch using API control and upgrade extender firmware over the network.



Features

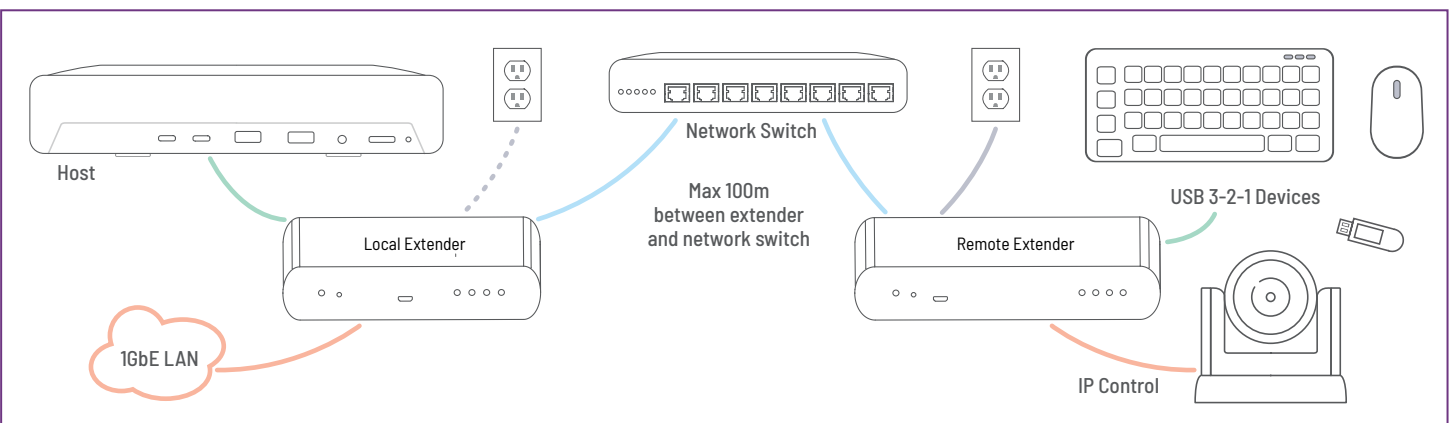
- ▶ Supports all USB 3, 2, and 1.1 devices simultaneously up to 5Gbps (shared)
- ▶ Extends USB 3-2-1 up to 200m across a 10GbE LAN switch or 100m through a single CAT 6a/7 cable
- ▶ Power the Local Extender using the USB-C connection to the host*
- ▶ The Remote Extender includes 2 USB-C ports and 2 USB-A ports
 - Delivers 3A at each USB-C port and 1.2A at each USB-A port
- ▶ Convenient 'Firmware Upgrade over Network' capability saves time and reduces maintenance costs
- ▶ Switch extender pairings on the fly using the SwitchableUSB™ API
- ▶ 1Gb Ethernet pass-through eliminates extra cable runs for simplified installations
- ▶ Compatible with all major UC conferencing applications
- ▶ Supports all USB transaction types (Control, Interrupt, Bulk, and Isochronous)

Includes the ExtremeUSB-C™ suite of features:

- ▶ Transparent USB extension supporting USB 3, 2 and 1
- ▶ True plug and play; no software drivers required
- ▶ Works with all major operating systems; Windows®, macOS™, Linux® and ChromeOS™

Applications

- ▶ Conference rooms
- ▶ Security and monitoring
- ▶ Video matrix systems
- ▶ Remote storage



- USB-C Data (5Gbps)
- 1GbE Pass-through
- Power
- 10GbE or CATx Link

* If the host computer can deliver 15W to the Local Extender, the Local Extender power supply is not required.

USB 3-2-1 Raven™ 3204C Pro Specifications

MECHANICAL DATA	SPECIFICATIONS	LOCAL EXTENDER	REMOTE EXTENDER
	USB Connector	1x USB-C Receptacle	2x USB-C Receptacles; 2x USB-A Receptacles
	1GbE Pass-through	1x RJ45 Ethernet 100/1000 Port	
	Link Connector	1x RJ45 Ethernet Link Port	
	Power Input	24V 1A DC Locking Jack	24V 2.71A DC Locking Jack
	Dimensions (W x D x H*)	165mm x 100mm x 35mm / 6.50" x 4.00" x 1.38"	197mm x 100mm x 35mm / 7.75" x 4.00" x 1.38"
	Weight	572g / 1.26lbs.	697g / 1.54lbs.
	Enclosure Material	Black Anodized Aluminum	

RANGE	Point-to-Point	Up to 100m (330 ft) over CAT 6a/7
	Network	Up to 200m across a single 10GBASE-T Switch (Layer 2)
USB SUPPORT	USB Bandwidth	Up to 5Gbps (Does not support DP Alt Mode)
	Device Compatibility	All Device Types and Classes (Control, Interrupt, Bulk, and Isochronous)
	Host Compatibility	OHCI, UHCI, EHCI, xHCI
	Available Current at Remote Unit	Supplies 3A (15W) per USB-C port and 1.2A (6W) per USB-A port
	Maximum Devices	Supports up to 30
ENVIRONMENTAL	Temperature	0°C to 40°C (32°F to 104°F) Operating / -20°C to 70°C (-4°F to 158°F) Storage
	Relative Humidity	20% to 80% Operating / 10% to 90% Storage (Non-condensing)
COMPLIANCE	Certifications	FCC, CE, RoHS2/3 (CE), ICES-003 Issue 7, IEC 62368-1
SUPPORT	Warranty	2-year

* Note: Add 2mm to height for non-slip rubber feet on bottom enclosure.

EXTENDER SYSTEM	PACKAGE CONTENTS	PACKAGED WEIGHT
	1x Local Extender	2.5kg / 5.5lbs.
	1x Remote Extender	
	1x USB-C Cable	
	2x International Locking AC Adapters	
	2x Country Specific Power Cords	
	1x Quick Start Guide	



Ordering Information



Raven 3204C Pro is available for private label and is sold separately or as a system. The complete system includes a Local Extender, Remote Extender, USB-C cable, two international power adapters with country specific power cords, Quick Start Guide and two-year warranty. For private labeling inquiries or for more information, contact us online at icron.com/contact, by email at icronSales@analog.com, or call +1 604 638 3920.

PART #	NAME	DESCRIPTION
01-00829	USB 3-2-1 Raven 3204C Pro - NA	4-Port Pro USB 3-2-1 10GbE LAN with API Extender System, Black, 100-240V Power Adapters - NA
01-00830	USB 3-2-1 Raven 3204C Pro - EU	4-Port Pro USB 3-2-1 10GbE LAN with API Extender System, Black, 100-240V Power Adapters - EU
01-00831	USB 3-2-1 Raven 3204C Pro - UK	4-Port Pro USB 3-2-1 10GbE LAN with API Extender System, Black, 100-240V Power Adapters - UK
01-00832	USB 3-2-1 Raven 3204C Pro - AU	4-Port Pro USB 3-2-1 10GbE LAN with API Extender System, Black, 100-240V Power Adapters - AU
01-00833	USB 3-2-1 Raven 3204C Pro - JP	4-Port Pro USB 3-2-1 10GbE LAN with API Extender System, Black, 100-240V Power Adapters - JP
10-00621	Raven Black Mounting Kit	Raven Black Mounting Kit, Set of 2 Mounting Brackets, Bolts Included