

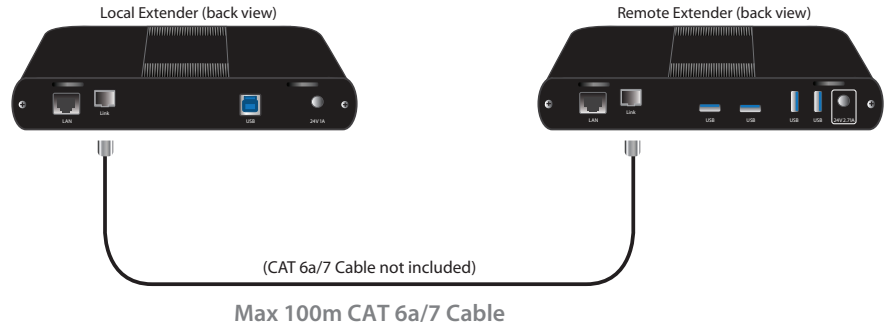
# USB 3-2-1 Raven™ 3104

4-Port USB 3.1, 100m CAT 6a/7  
Point-to-Point Extender System

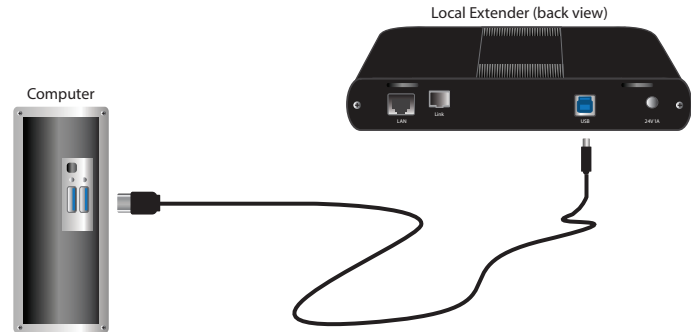
## Quick Start Guide

Before you get started, ensure that all the drivers required for your USB device(s) are installed.

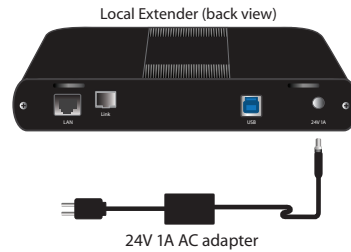
- 1 Place extenders where desired and connect the CAT 6a/7 cable to the Link ports on the Local and Remote Extenders.



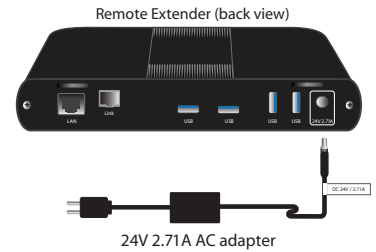
- 2 Connect the Local Extender to the computer's USB 3 port using the included USB cable.



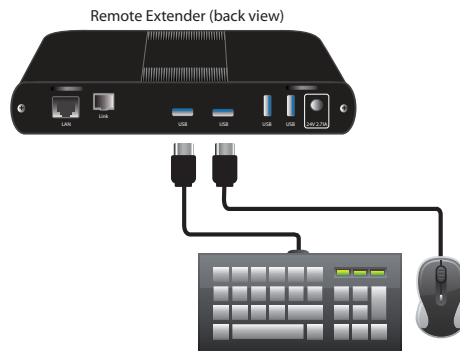
- 3 Power the Local Extender with the included 24V 1A AC adapter and tighten the locking ring.



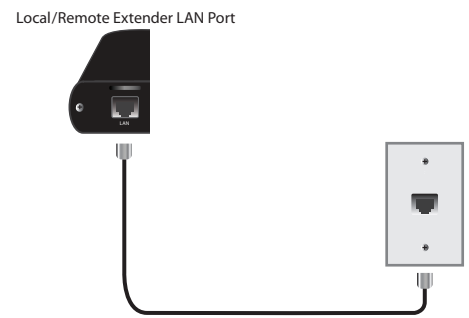
- 4 Power the Remote Extender with the included 24V 2.71A AC adapter and tighten the locking ring.



- 5 Attach USB device(s) to the Remote Extender.



- 6 Optional: Connect Local and Remote Extender LAN ports to a network or device as necessary.



### Package Contents:

- 1x USB 3-2-1 Raven 3104 Local Extender
- 1x USB 3-2-1 Raven 3104 Remote Extender
- 1x USB 3.1 Gen 1 Cable
- 1x 24V 1A AC Power Adapter
- 1x 24V 2.71A AC Power Adapter
- 2x Country Specific Power Cords
- 1x Quick Start Guide

Includes the ExtremeUSB-C™ suite of features:



- Transparent USB extension supporting USB 3, 2 and 1
- True plug and play; no software drivers required
- Works with all major operating systems: Windows®, macOS™, Linux® and ChromeOS™



# Certification and Compliance

## **FCC Radio Frequency Interference Statement Warning**

This device complies with part 15 of the FCC Rules. Operation is subject to the following two conditions: (1) this device may not cause harmful interference, and (2) this device must accept any interference received including interference that may cause undesired operation.

## **CE Statement**

We, Icron Technologies Corporation, declare under our sole responsibility that the USB 3-2-1 Raven™ 3104, to which this declaration relates, is in conformity with European Standards EN 55022, EN 55024, EN 55032 and EN 61000.

## **IC Statement**

This Class B digital apparatus complies with Canadian ICES-003 Issue 6.

## **WEEE Statement**

The European Union has established regulations for the collection and recycling of all waste electrical and electronic equipment (WEEE). Implementation of WEEE regulations may vary slightly by individual EU member states. Please check with your local and state government guidelines for safe disposal and recycling or contact your national WEEE recycling agency for more information.

## **Product Operation and Storage**

Please read and follow all instructions provided with this product, and operate for intended use only. Do not attempt to open the product casing as this may cause damage and will void warranty. Use only the power supply provided with this product. When not in use, product should be stored in a dry location between -20°C and 70°C.

Icron Technologies Corporation  
4664 Lougheed Hwy.  
Suite 221  
Burnaby, BC,  
V5C 5T5, Canada  
+1 604 638 3920



Information contained herein is subject to change without notice. 90-01584-A02